

 **JAMES BAROUD**

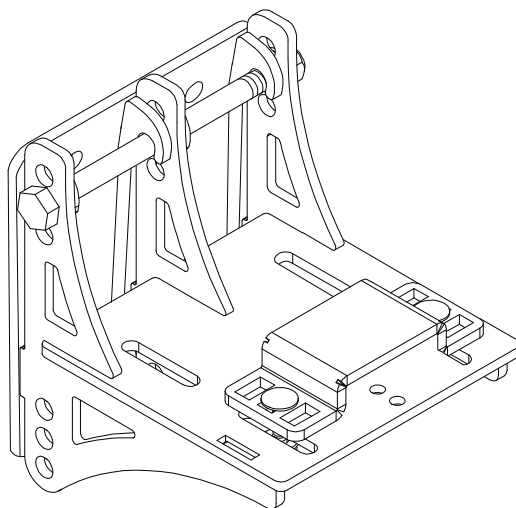
## **EN INSTALLATION GUIDE**

FR Guide d'installation

DE Installationsanleitung

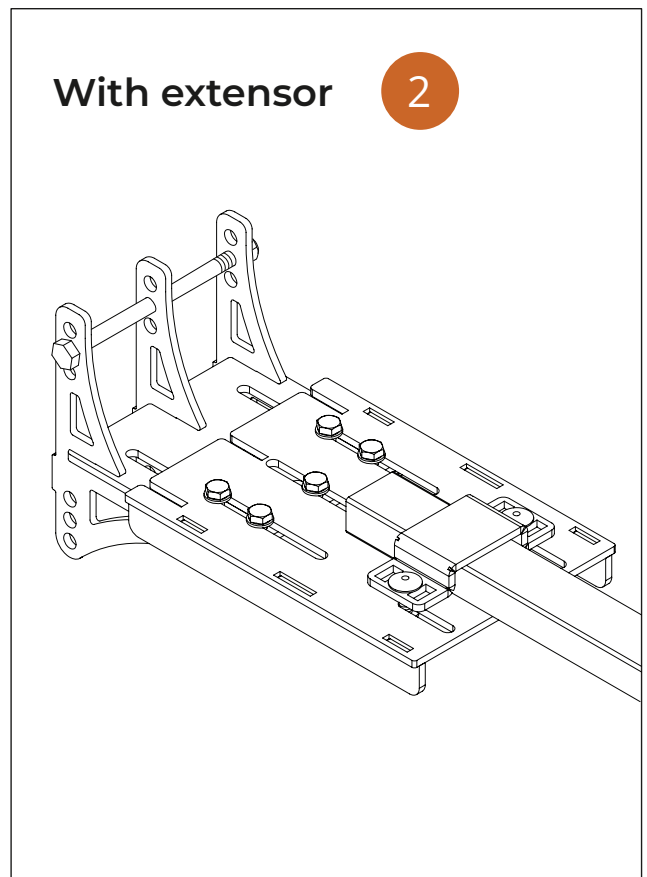
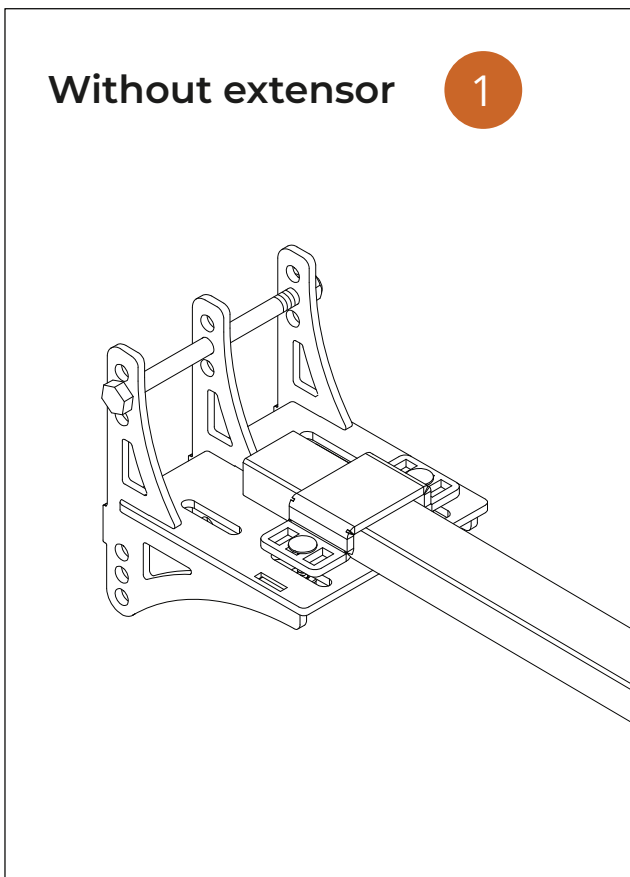
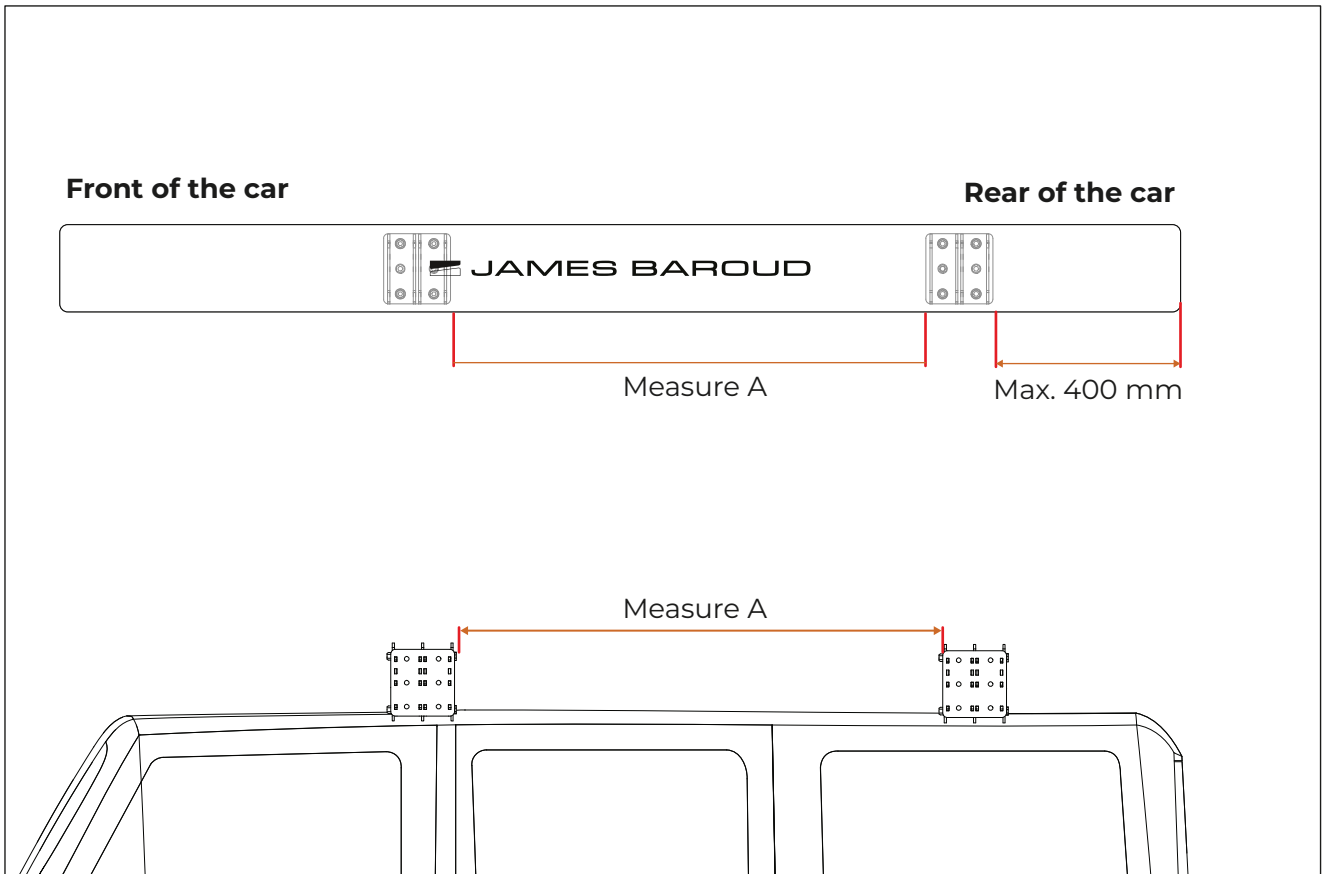
ES Guía de instalación

PT Guia de instalação

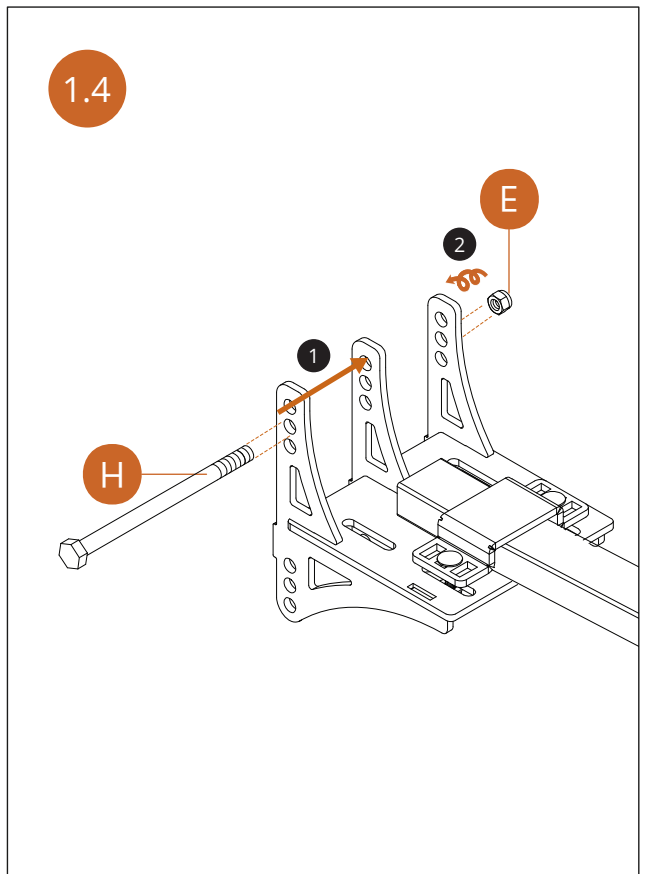
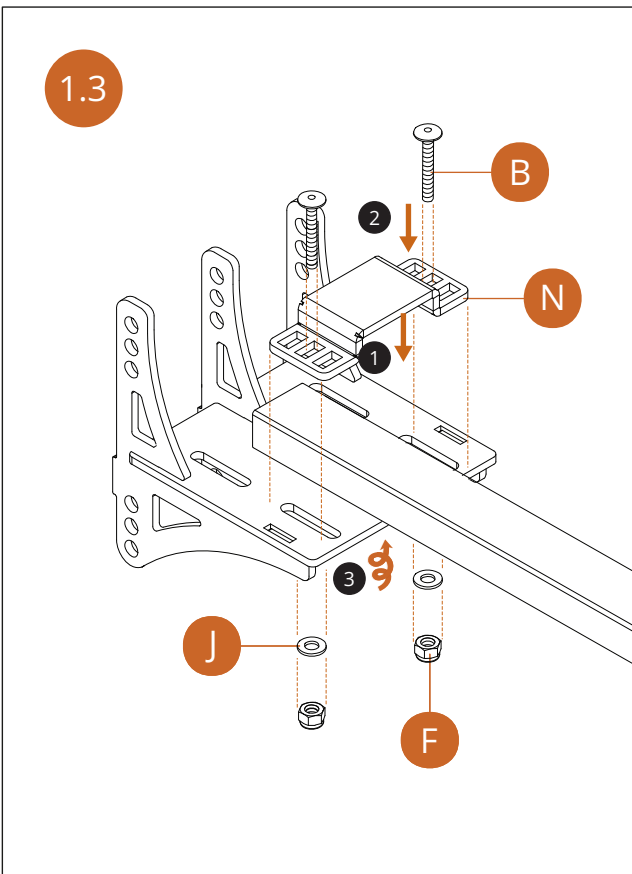
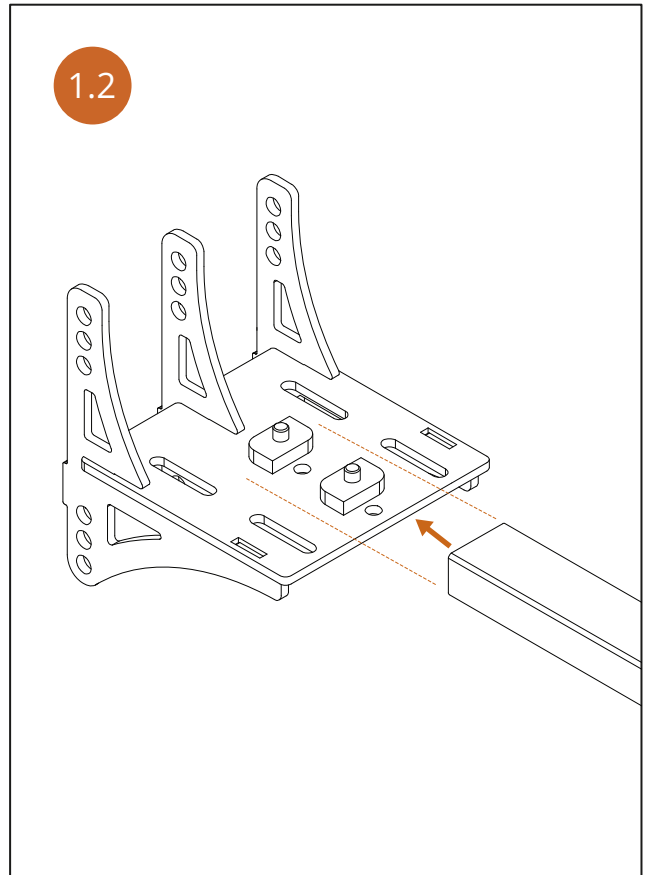
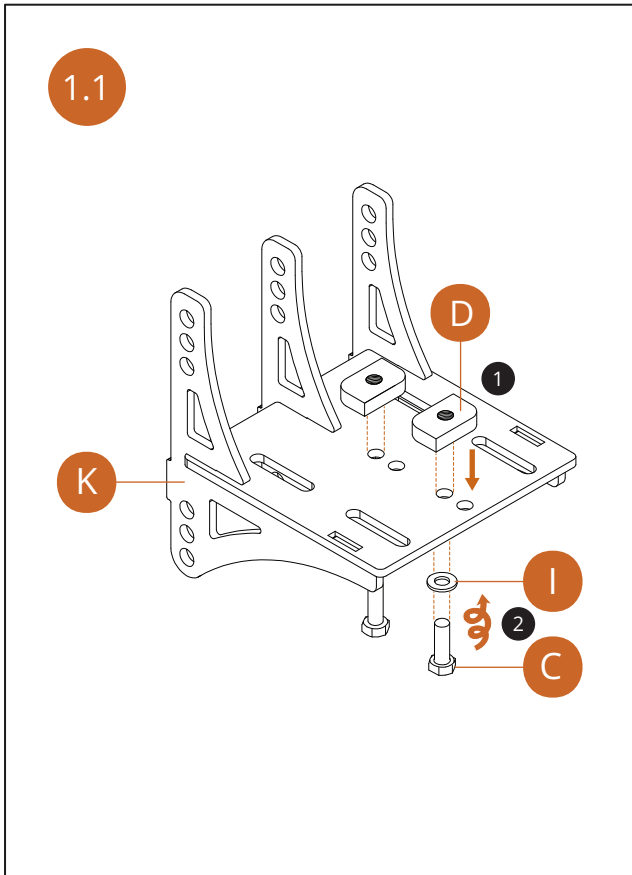


**Falcon Awning 270°**

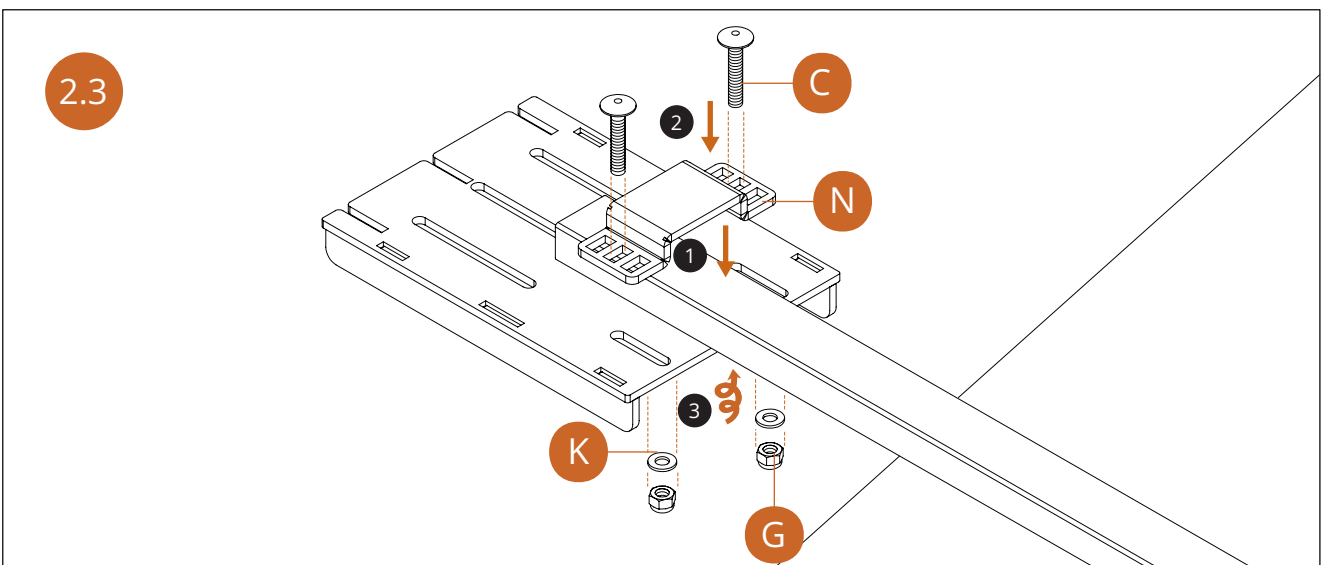
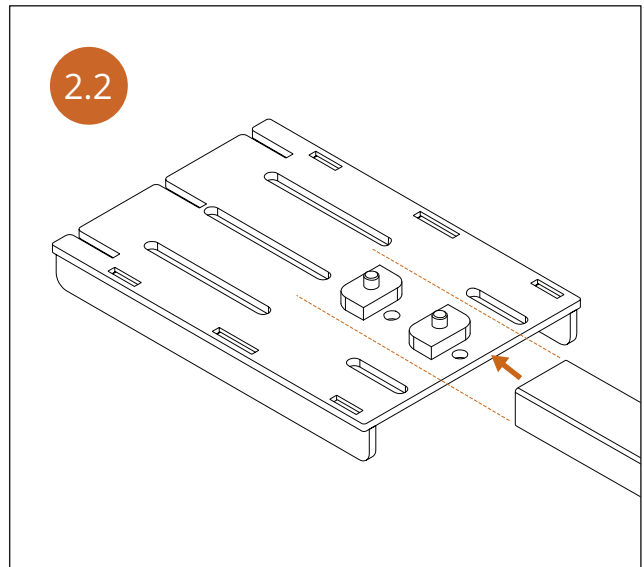
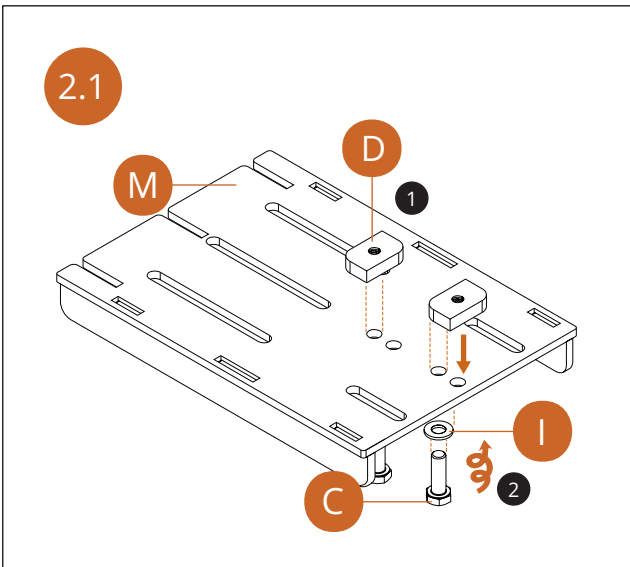
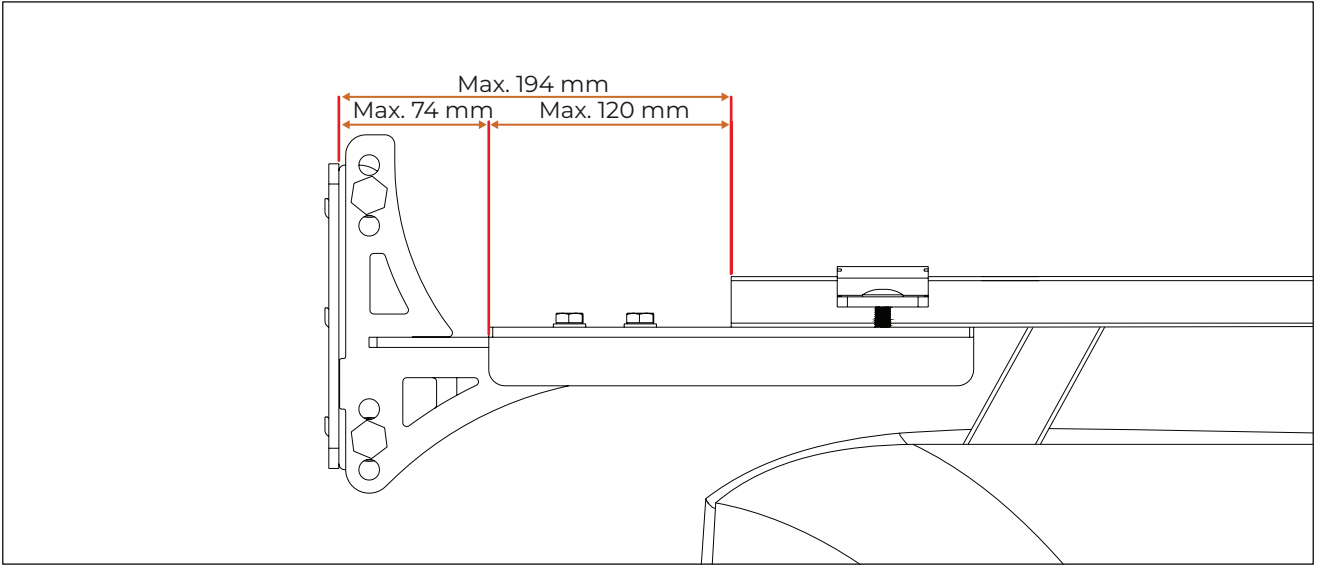
# ASSEMBLY



# ASSEMBLY WITHOUT EXTENSOR

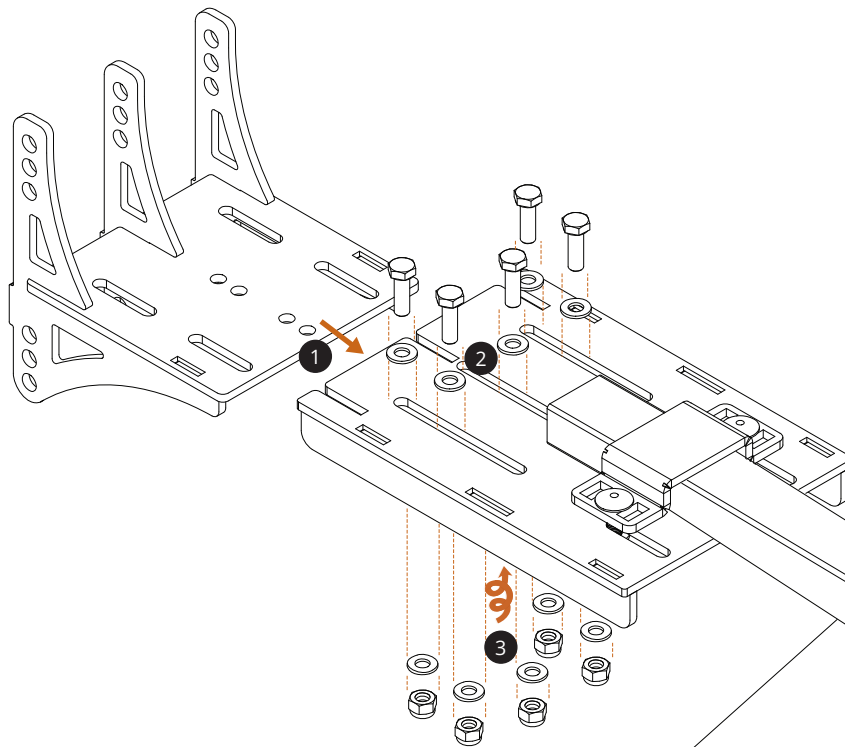


# ASSEMBLY WITH EXTENSOR

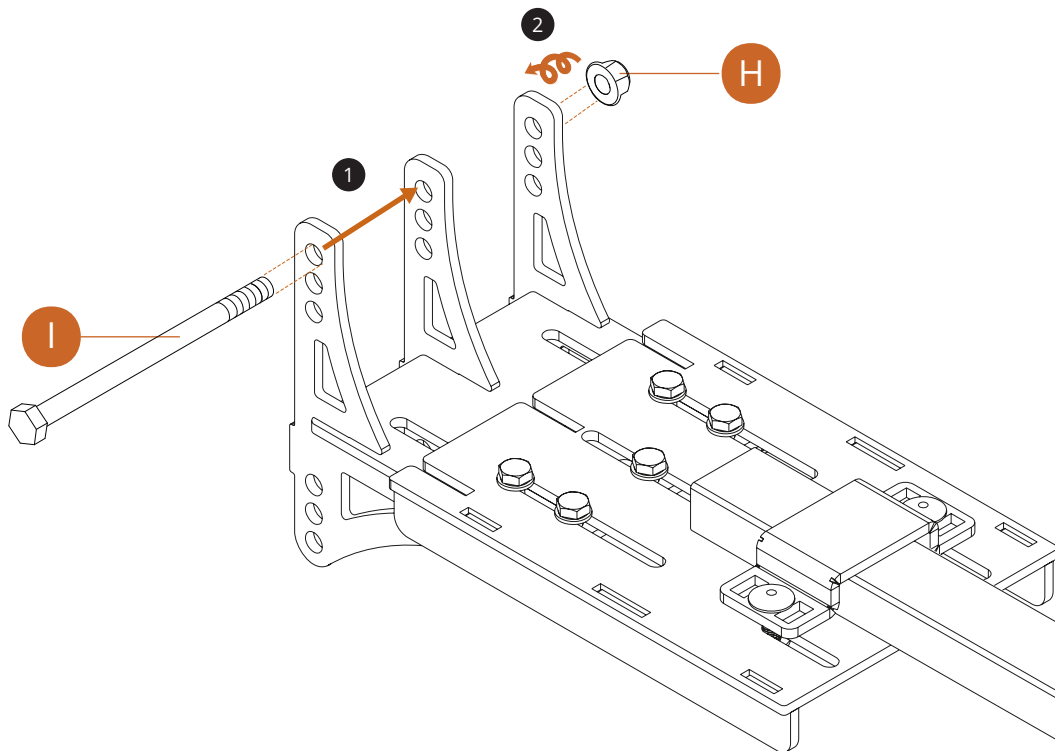


# ASSEMBLY WITH EXTENSOR

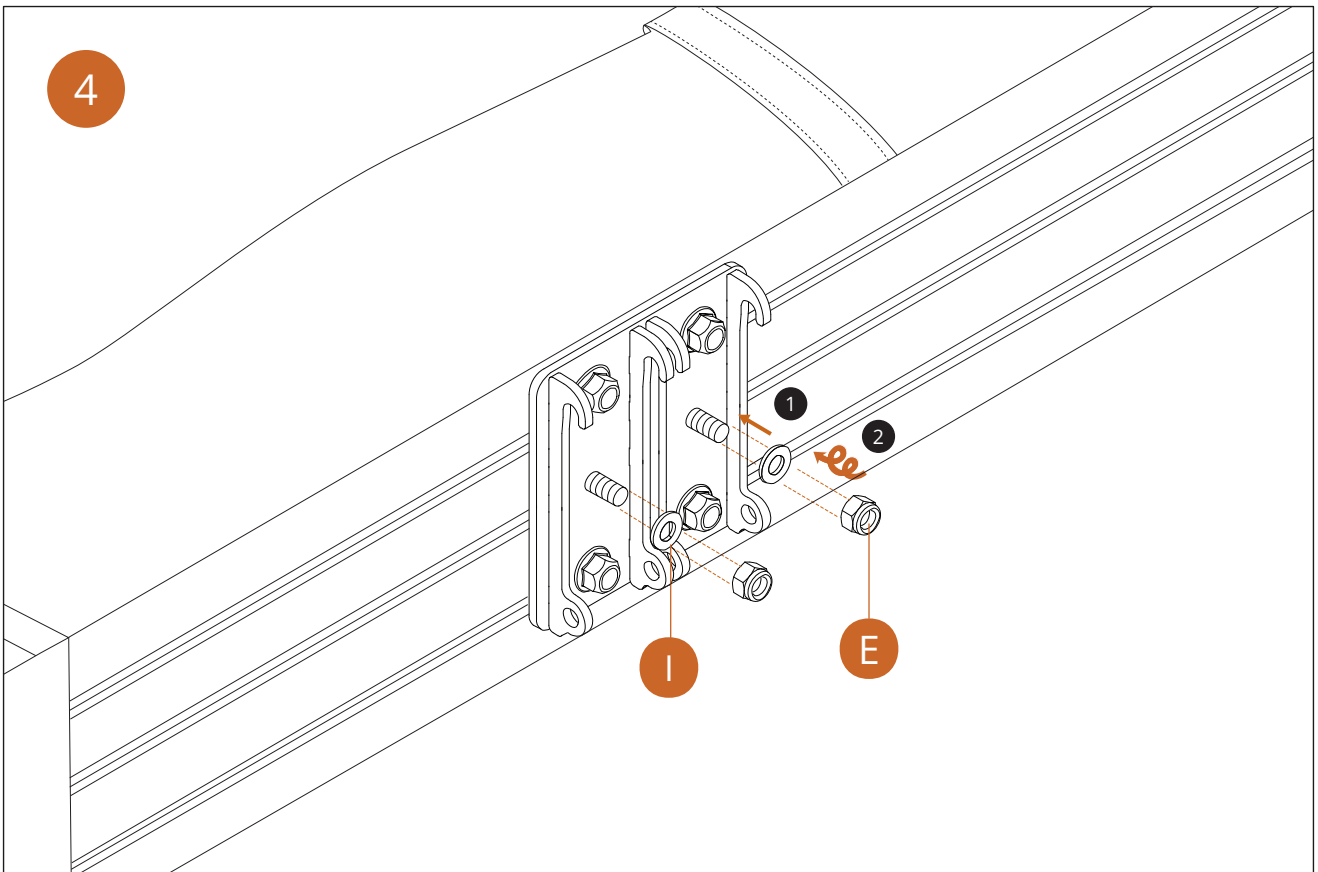
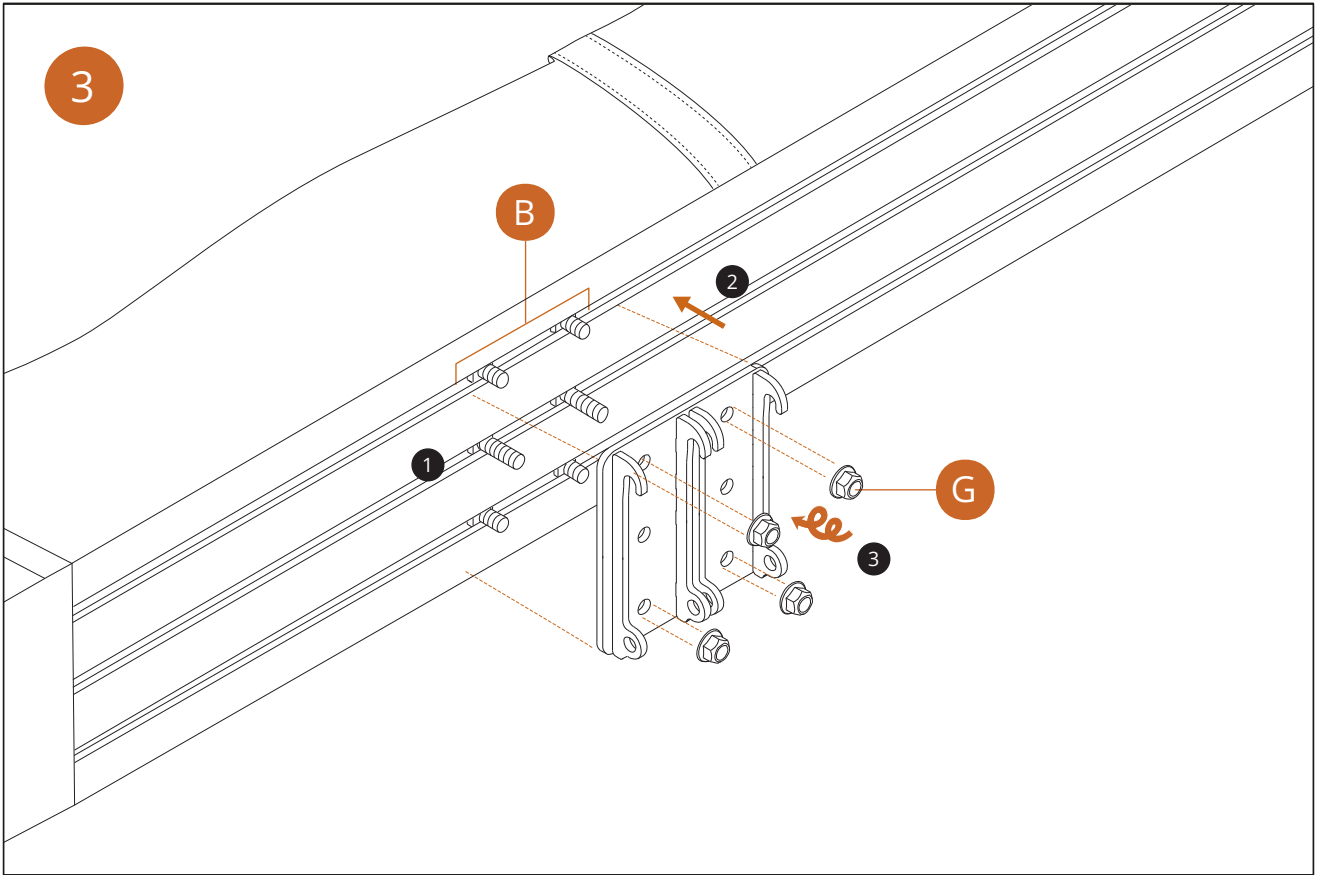
2.4



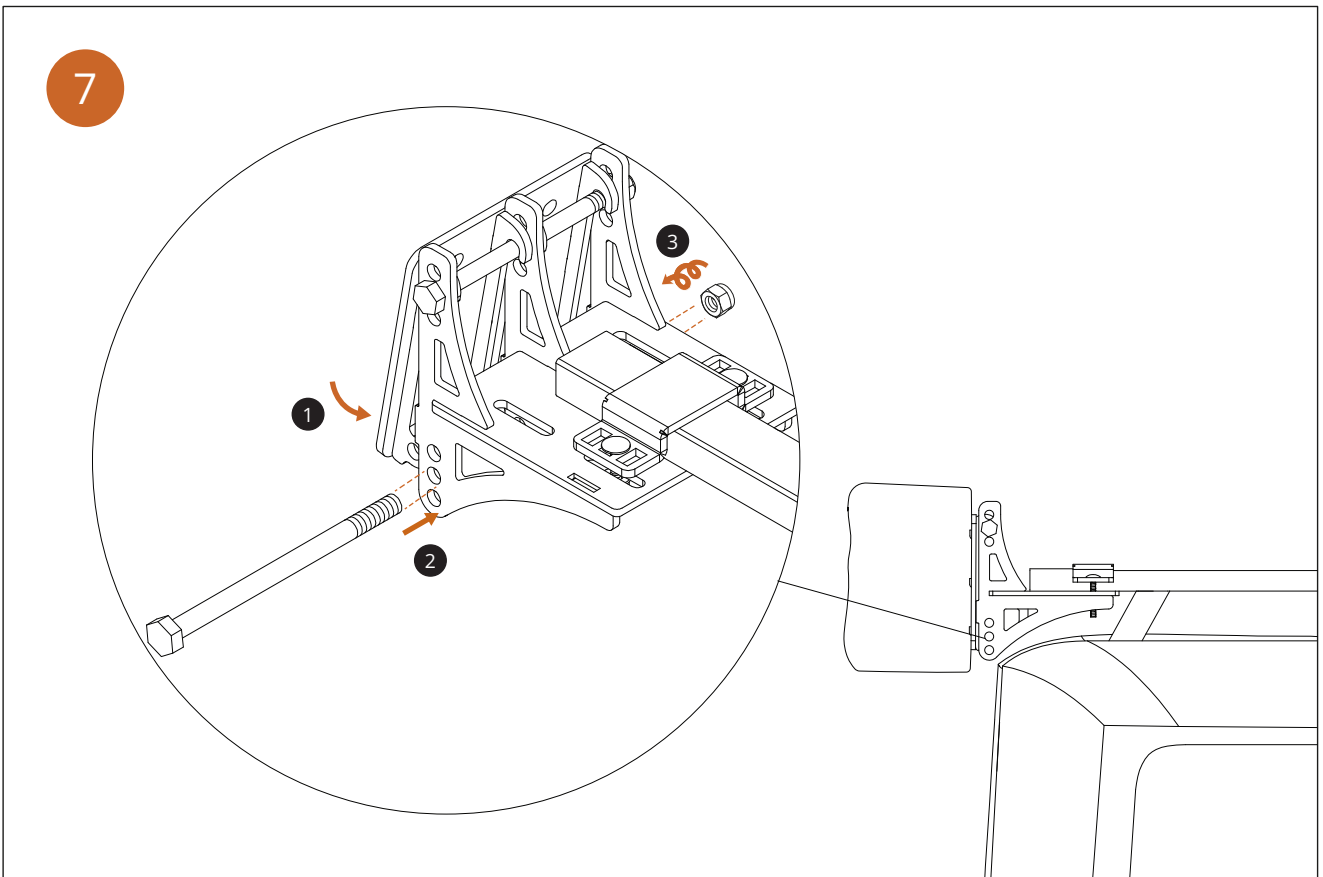
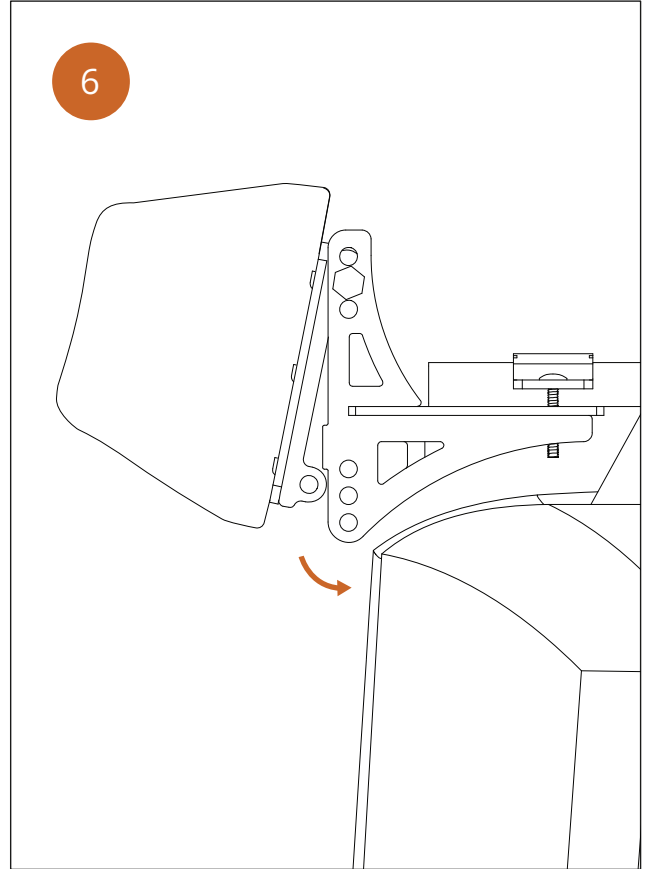
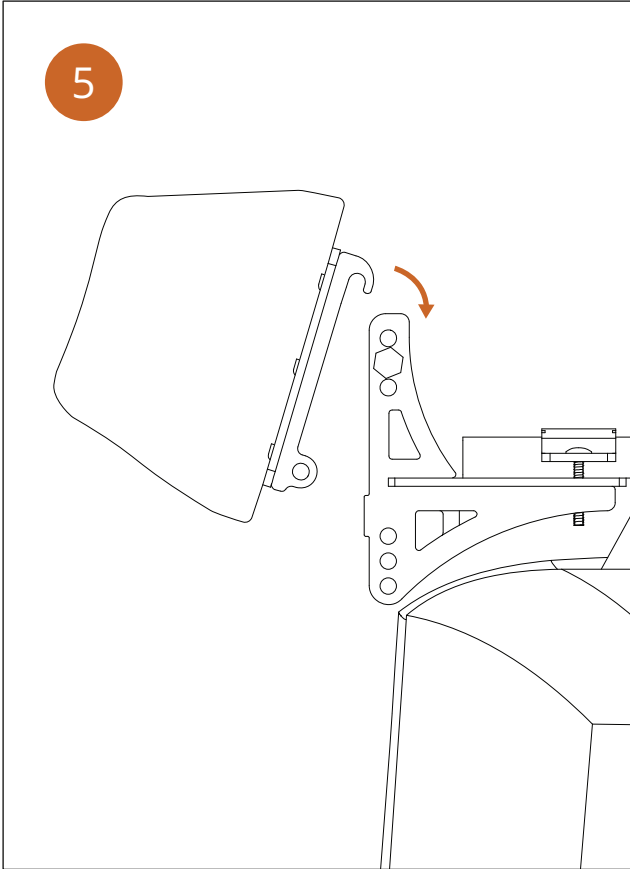
2.5



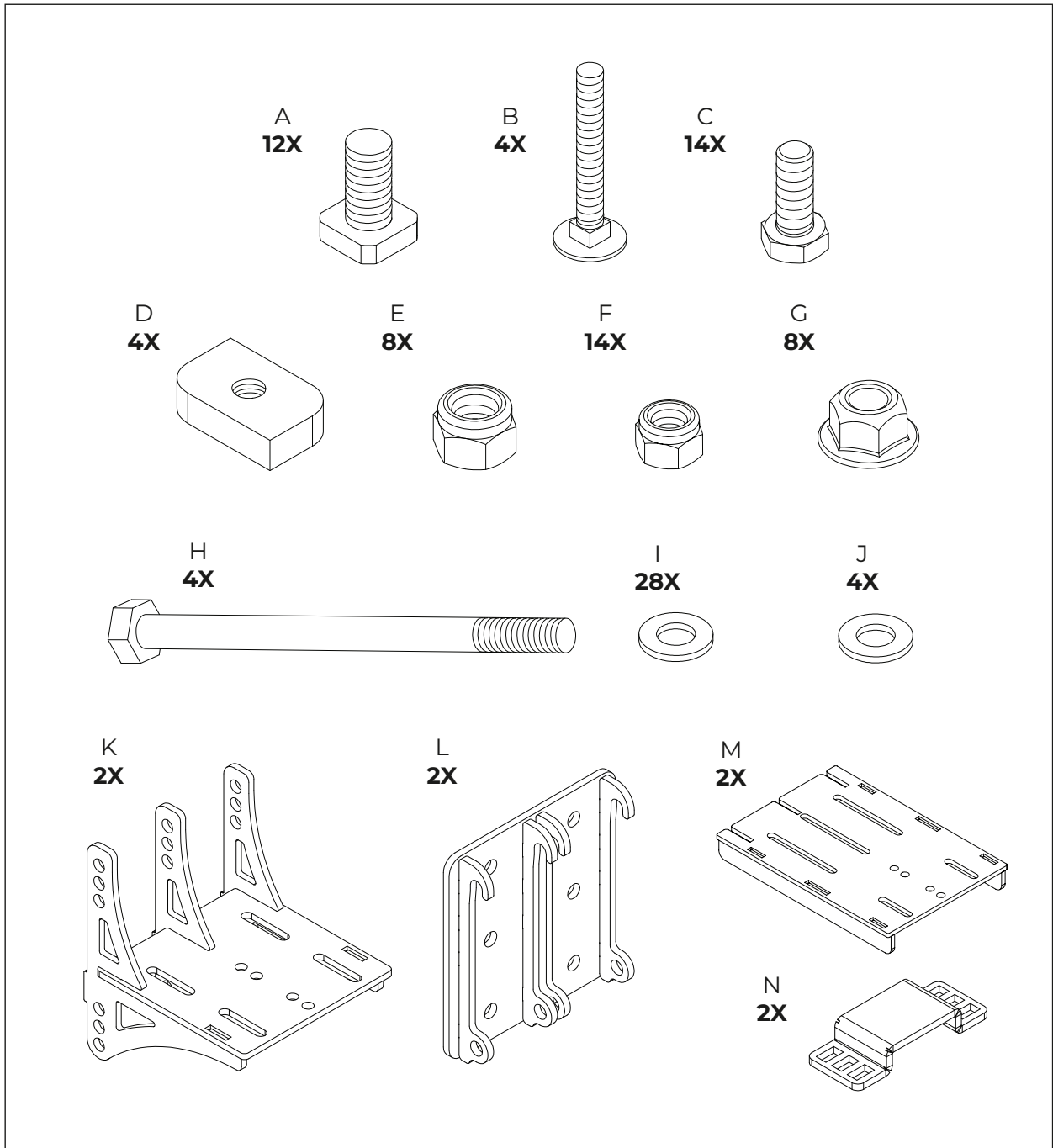
# ASSEMBLY



# ASSEMBLY



# COMPONENTS



READ MORE ON

[jamesbaroud.com](https://jamesbaroud.com)

[@jamesbaroudofficial](https://www.instagram.com/jamesbaroudofficial)

